

# K-Rated Transformer



All K-Rated transformers meet the most stringent industrial standards due to their optimal design, superior quality and ease of installation.

## Applications

- ▶ Non Linear Loads
- ▶ Installation with dedicated ground
- ▶ Industrial Programmable Controllers (PLC)
- ▶ Protected Receptacles for hospitals
- ▶ Protected Receptacles (orange)

## Features

- ▶ **E.V.I.** Process (Epoxy Vacuum Impregnation) at no additional cost
- ▶ Copper Windings
- ▶ Insulation Class 220
- ▶ 150°C Temperature Rise
- ▶ High Quality Grain Oriented Steel Laminations
- ▶ Compact and easy to install enclosure
- ▶ Quiet Operation
- ▶ Neutral sized for twice the rated current

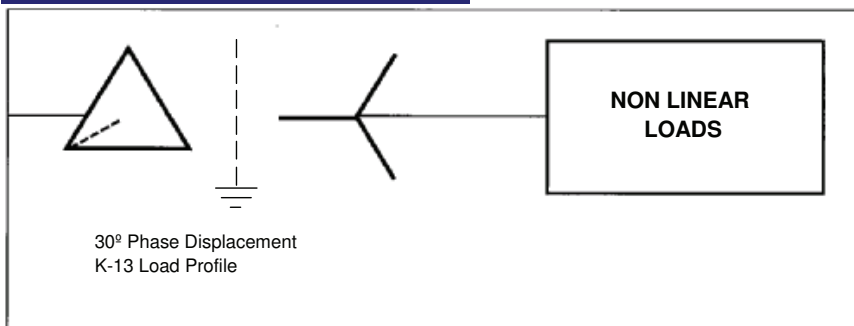
- ▶ Voltage of 600V to 208/120V, 60 Hz,  $\Delta$ -Y, 3P, 4W
- ▶ 3 Coil Construction
- ▶ Electrostatic Shield



## Options

- ▶ Single or Double Oversized Electrostatic Shield
- ▶ TVSS
- ▶ Special Voltage
- ▶ 115°C and 80°C Temperature Rise

## Typical Application



**The Non Linear Load  
Low Cost Solution**

## E.V.I. Plus-Value

- ▶ Superior Bonding & Mechanical Strength
- ▶ Core Losses Stability
- ▶ Better Heat Dissipation
- ▶ Reduced Noise
- ▶ Improved Winding Insulation
- ▶ Enhanced Protection in Contaminated Environments
- ▶ Elimination of Air Pockets



Synonymous with Quality